
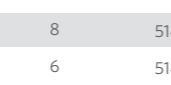

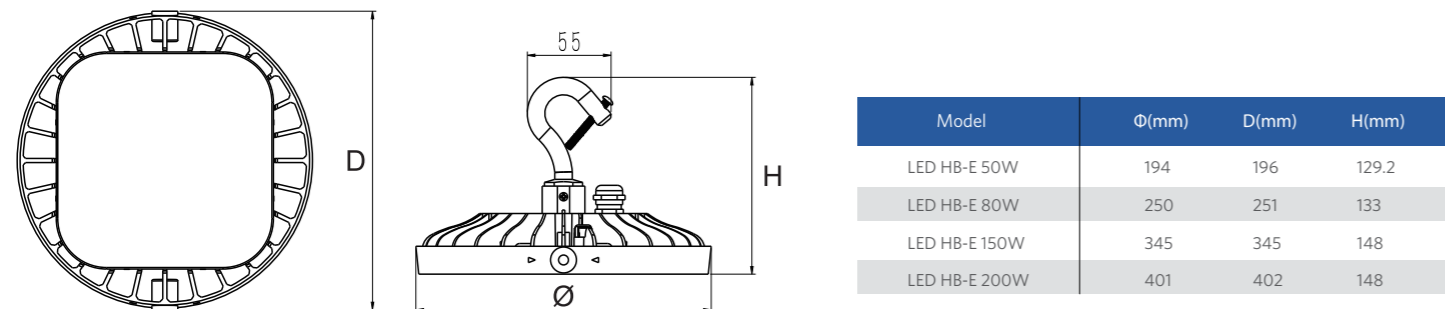


Packaging Information

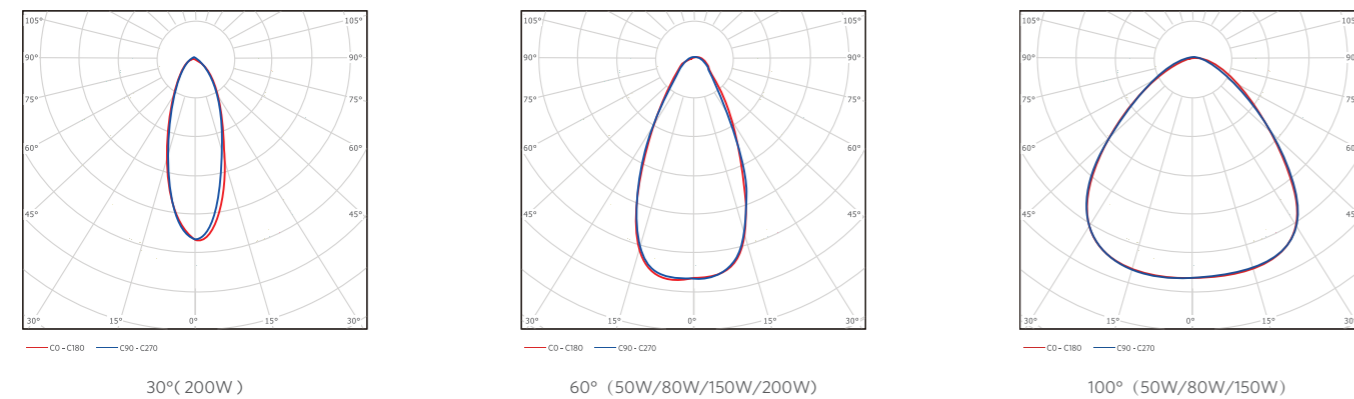
Item Code	Item Description	Single Box(1pc/box)		Packaging Unit		
		Dimensions(mm) (LxWxH)	Gross Weight (kg)	Dimensions(mm) (LxWxH)	Gross Weight (kg)	Packaging Qty (pcs/unit)
545001005400	LEDHighbay-E 50W-5700-60D-GY-GP	214*214*102	1.33	445*445*230	10.61	8
545001005500	LEDHighbay-E 50W-5700-100D-GY-GP	214*214*102	1.33	445*445*230	10.61	8
545001005600	LEDHighbay-E 80W-5700-60D-GY-GP	270*270*106	1.93	560*285*240	7.70	4
545001005700	LEDHighbay-E 80W-5700-100D-GY-GP	270*270*106	1.93	560*285*240	7.70	4
545001005800	LEDHighbay-E 150W-5700-60D-GY-GP	390*390*120	4.26	405*405*270	8.51	2
545001005900	LEDHighbay-E 150W-5700-100D-GY-GP	390*390*120	4.26	405*405*270	8.51	2
545001006000	LEDHighbay-E 200W-5700-30D-GY-GP	446*446*120	5.00	460*460*270	9.99	2
545001006100	LEDHighbay-E 200W-5700-60D-GY-GP	446*446*120	5.00	460*460*270	9.99	2

Item Code	Accessories	Gross Weight (kg/pcs)	Packing Qty (pcs)	MOQ (pcs)	Picture
545098001800	Highbay-E Pole-mounted Accessory	0.54	6	218	
545098001900	Highbay-E Wall-mounted Accessory(50W)	0.08	12	576	
545098002000	Highbay-E Wall-mounted Accessory(80W)	0.13	10	576	
545098002100	Highbay-E Wall-mounted Accessory(150W)	0.23	10	576	
545098002200	Highbay-E Wall-mounted Accessory(200W)	0.29	8	576	
545098002300	Highbay EcoMax Reflector 50W	0.43	8	514	
545098002400	Highbay EcoMax Reflector 80W	0.54	8	514	
545098002500	Highbay EcoMax Reflector 150W	0.82	8	514	
545098002600	Highbay EcoMax Reflector 200W	0.93	6	514	

Dimensional Drawing



Photometric Data



LED Lowbay EcoMax II

Features

- Optimal heat management, 30Khrs
- Up to 100 lm/W
- Two beam angle options
- Multiple installation options: hook, pole or wall mounting

Benefits

- Lasts 4 times longer than conventional low bay
- More energy saving than normal lowbay
- Applicable in multiple ceiling heights and environment
- Flexible installation

Application



Specification

Item Code	Item Description	Power (W)	Power Factor	Lumen (lm)	Efficacy (lm/W)	Input Current (mA)	Beam Angle (°)	Lifetime (L70B50)	MOQ (pcs)
545002012200	LEDLowbay-E II 35W-5700K-80-SL-GP	35	0.95	3500	100	0.159	80	30000	300
545002012100	LEDLowbay-E II 50W-5700K-80-SL-GP	50	0.95	5000	100	0.227	80	30000	300
545002012000	LEDLowbay-E II 70W-5700K-80-SL-GP	70	0.95	7000	100	0.318	80	30000	300
545002012300	LEDLowbay-E II 100W-5700K-60-SL-GP	100	0.95	10000	100	0.455	60	30000	300
545002012400	LEDLowbay-E II 100W-5700K-90-SL-GP	100	0.95	10000	100	0.455	90	30000	300
545002012500	LEDLowbay-E II 150W-5700K-60-SL-GP	150	0.95	15000	100	0.687	60	30000	300
545002012600	LEDLowbay-E II 150W-5700K-90-SL-GP	150	0.95	15000	100	0.687	90	30000	300
545002012700	LEDLowbay-E II 200W-5700K-60-SL-GP	200	0.95	20000	100	0.89	60	30000	300
545002012800	LEDLowbay-E II 200W-5700K-90-SL-GP	200	0.95	20000	100	0.89	90	30000	300

*3000K & 4000K option available

Technical Specifications	
CRI	≥ 80
Colour Consistency (SDCM)	6
Dimmable	NO
Housing Colour	Silver
IP	IP20
Driver integrated (Yes/No)	Yes
Glow wire test	650 C
Weight (kg/pc)	0.65 - 2.59

Electrical Supply	
Frequency (Hz)	50/60
Voltage (V)	220-240
AC / DC	AC

Mechanical Properties	
Driver Housing material	PC
Reflector Material	Aluminium

Application Conditions	
Operating Temperature	-30 - +45°C
Application Temperature	25°C
Storage Environment	-30-60°C

